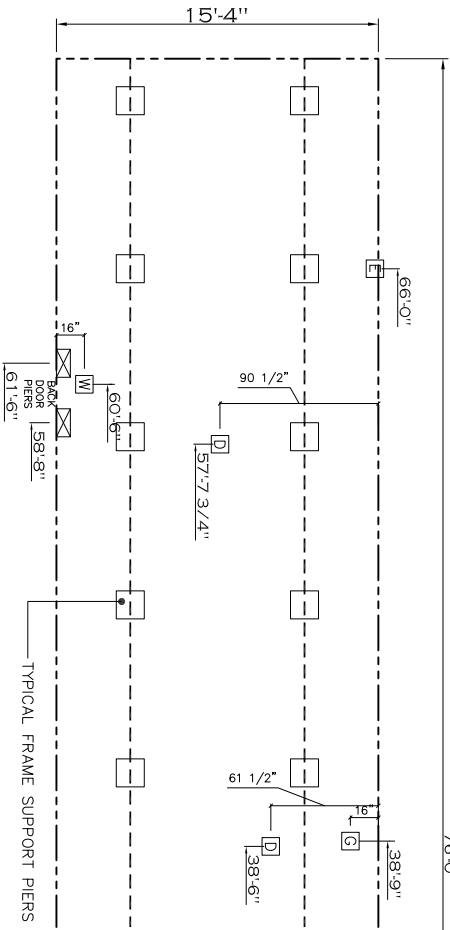


FLIPPED KITCHEN / UTIL / BATH



OPTION 2 BEDROOM

SIDEWALL OPENING PIER LOAD 16' BOX WIDTH	SIDEWALL OPENING (FT)				
	3	4	5	6	10
20 lb ROOF LOAD	1244	1413	1581	1750	2088
40 lb ROOF LOAD	1244	1413	1581	1750	2425

\*FOR 30 lb & 40 lb ROOF LOAD REFER TO TABLES 7 & 7a IN THE INSTALLATION MANUAL.

SERVICE DROP LEGEND	
[E]	= ELECTRICAL DROP
[W]	= WATER INLET
[D]	= DWV PLUMBING DROP
[G]	= GAS INLET

PIER LEGEND	
[□]	= PIER MAIN BEAM
[■]	= PIER PERIMETER
[■]	= PIER PORCH/RECESSD ENTRY

- NOTES:
- REFER TO TABLES 6 AND 6a IN THE INSTALLATION MANUAL FOR LOAD ON FRAME PIER FOOTINGS FOR HOMES THAT DO NOT REQUIRE PERIMETER BLOCKING. REFER TO TABLES 7 AND 7a IN THE INSTALLATION MANUAL FOR LOAD ON FRAME PIER FOOTINGS FOR HOMES THAT REQUIRE PERIMETER BLOCKING. REFER TO TABLES 10 AND 10a TO DETERMINE FOOTING SIZE FOR ALL PIERS.
  - REFER TO TABLE 9 FOR PIER CONFIGURATION AND MAXIMUM ALLOWABLE HEIGHTS. CROSS REFERENCE THE PIER HEIGHT WITH THE MAXIMUM ALLOWABLE FLOOR HEIGHT LISTED IN THE FRAME TIEDOWN CHARTS (TABLE 18, 19, AND 20).
  - THE MAXIMUM SPACING FOR FRAME SUPPORT PIERS FOR 8" I-BEAMS IS 8 FEET, 10" & 12" I-BEAMS IS 10 FEET.
  - SERVICE DROP LOCATIONS IDENTIFIED ARE APPROXIMATE.
  - FLOOR WIDTH SHOWN IS FOR STANDARD PRODUCT ONLY. CONTACT THE MFG FACILITY FOR SPECIFICATIONS OF OPTIONS ORDERED.

1165 SQ.FT. (STD PLAN "CONDITIONED")  
 N/A SQ.FT. (W/OPT. PORCH/RECESS "CONDITIONED")

**CMH**  
 MANUFACTURING

Model #: BLX-V51(676)A Drawing #: 225092  
 Date: 11.12 Edate: NTS  
 Product Designer: SAKARI SPRINGER

**FRAME PIERS**