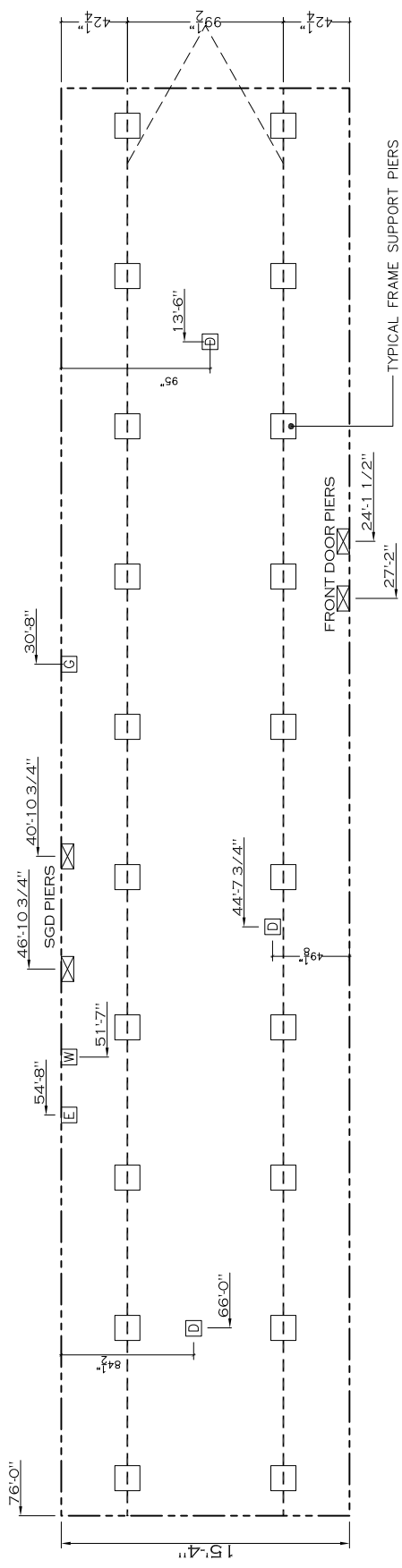


- NOTES:
- REFER TO TABLES 6 AND 6a IN THE INSTALLATION MANUAL FOR LOAD ON FRAME PIER FOOTINGS FOR HOMES THAT DO NOT REQUIRE PERIMETER BLOCKING. REFER TO TABLES 7 AND 7a IN THE INSTALLATION MANUAL FOR LOAD ON FRAME PIER FOOTINGS FOR HOMES THAT REQUIRE PERIMETER BLOCKING. REFER TO TABLES 10 AND 10a TO DETERMINE FOOTING SIZE FOR ALL PIERS. REFER TO TABLE 9 FOR PIER CONFIGURATION AND THE PIER HEIGHT WITH THE MAXIMUM ALLOWABLE FLOOR HEIGHT LISTED IN THE FRAME TIEDOWN CHARTS (TABLE 18, 19, AND 20).
 - THE MAXIMUM SPACING FOR 8" I-BEAMS IS 8 FEET, 10" & 12" I-BEAMS IS 10 FEET.
 - APPROXIMATE.
 - FLOOR WIDTH SHOWN IS FOR STANDARD PRODUCT ONLY. CONTACT THE MFG FACILITY FOR SPECIFICATIONS OF OPTIONS ORDERED.



REV: 8/3/2023 9:57 PM
1,165 SQ.FT. (STD PLAN "CONDITIONED")

SERVICE_DROP_LEGEND	
[E]	ELECTRICAL DROP
[W]	WATER INLET
[D]	DWV PLUMBING DROP
[G]	GAS INLET

PIER_LEGEND	
[□]	PIER MAIN BEAM
[▤]	PIER PERIMETER
[■]	PIER PORCH/RECESSED ENTRY

20 lb ROOF LOAD SIDEWALL OPENING PIER LOAD 16' BOX WIDTH	SIDEWALL OPENING (FT) REQUIRED PIER LOAD (LBS)			
	3	4	5	6
	1244	1413	1581	1750
	2088	2425		

*FOR 30 lb & 40 lb ROOF LOAD REFER TO TABLES 7 & 7a IN THE INSTALLATION MANUAL.

CMH MANUFACTURING Product Designer: BF	Model #: AN1167631	Drawing #:
	Date: 8.2.23	Scale: N.T.S.
16' x 76'		225157
SERVICE		