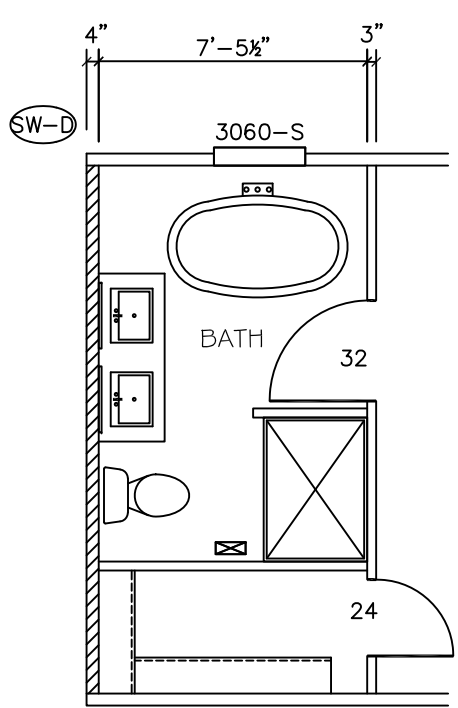
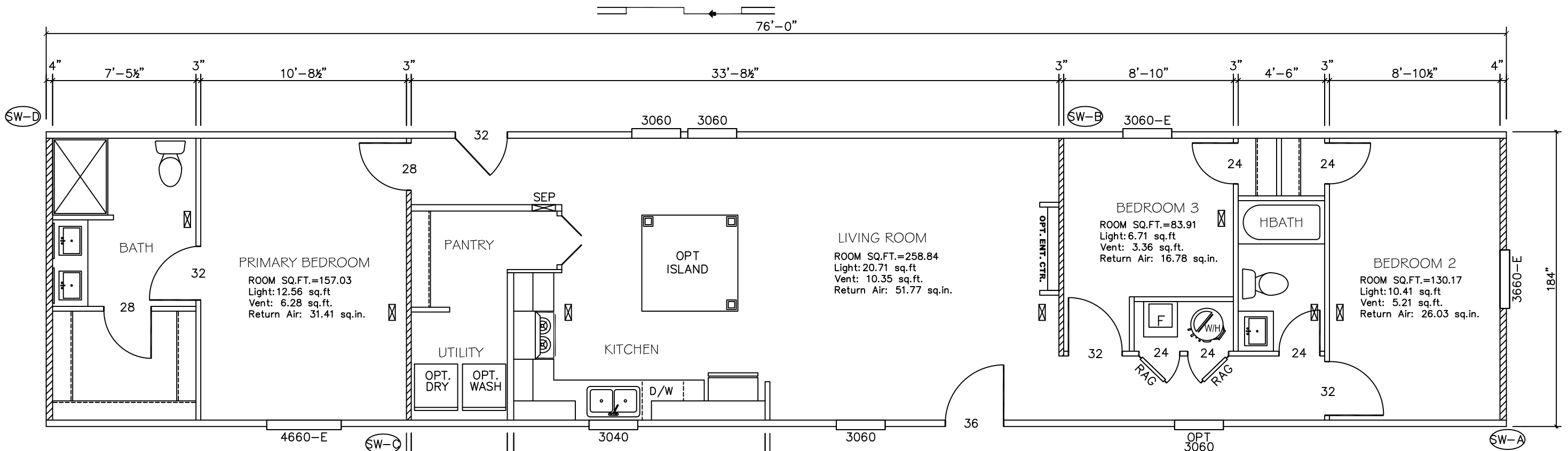


OMIT REAR DOOR & WINDOWS
w/ OPT. SGD.



Model # 22S178
 Box Width = 184" Single wide No Offset Box
 Box Length = 76 ft 99.5" 10" MIN.IBEAM No Clerestory
 No Skylights No Origami Dormer
 No Porches No Sunken Floor
 Joist Size = #2 sp 2x6 Lags 9Mx3" No Parapet Roof

Model # 22S178 - 2BR OPT.
 Box Width = 184" Single wide No Offset Box
 Box Length = 76 ft 99.5" 10" MIN.IBEAM No Clerestory
 No Skylights No Origami Dormer
 No Porches No Sunken Floor
 Joist Size = #2 sp 2x6 Lags 9Mx3" No Parapet Roof

Version R14.01

Wind Zone	Standard Roof	7/16" Rated Sheathing and Ceiling Board with 15 ga staple @ 6/12 (286,315) Chords: 2x4 SPF #3 Top Plate spliced w/ 3x4 MCP & 1x6 SPF Rail spliced w/ 3x4 MCP	96 inch sidewall				
Diaphragm Construction: Block Dist. X=0'							
Shearwall	Dist./ Hitch	Length	PLF	# of Joists	Lags	Notes	SW1/SW2
A	0'	139.5"	250	2	3/3	Split Shearwall *	69.75/69.75
D	76'	128"	250	2	3/1		

Wind Zone	Standard Roof	7/16" Rated Sheathing and Ceiling Board with 15 ga staple @ 6/12 (286,315) Chords: 2x4 SPF #3 Top Plate spliced w/ 3x4 MCP & 1x6 SPF Rail spliced w/ 3x4 MCP	96 inch sidewall				
Diaphragm Construction: Block Dist. X=0'							
Shearwall	Dist./ Hitch	Length	PLF	# of Joists	Lags	Notes	SW1/SW2
A	0'	139.5"	250	2	3/3	Split Shearwall *	69.75/69.75
B	23.17'	128"	430	3	4/1		
C	57.13'	128"	430	3	4/1		
D	76'	128"	250	2	3/1		

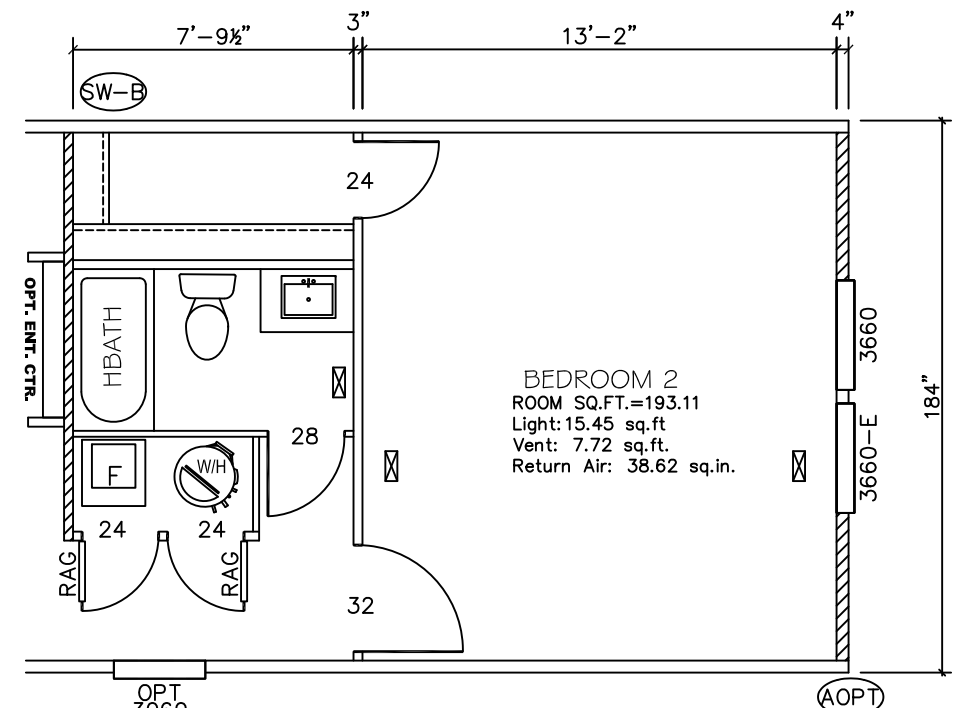
Wind Zone	Standard Roof	7/16" Rated Sheathing and Ceiling Board with 15 ga staple @ 6/12 (286,315) Chords: 2x4 SPF #3 Top Plate spliced w/ 3x4 MCP & 1x6 SPF Rail spliced w/ 3x4 MCP	96 inch sidewall				
Diaphragm Construction: Block Dist. X=0'							
Shearwall	Dist./ Hitch	Length	PLF	# of Joists	Lags	Notes	SW1/SW2
A	0'	139.5"	250	2	3/3	Split Shearwall *	69.75/69.75
B	23.17'	128"	520	4	5/2		
C	57.13'	140"	430	4	4/1		
D	76'	128"	250	2	3/1		

Version R14.01

Wind Zone	Standard Roof	7/16" Rated Sheathing and Ceiling Board with 15 ga staple @ 6/12 (286,315) Chords: 2x4 SPF #3 Top Plate spliced w/ 3x4 MCP & 1x6 SPF Rail spliced w/ 3x4 MCP	96 inch sidewall				
Diaphragm Construction: Block Dist. X=0'							
Shearwall	Dist./ Hitch	Length	PLF	# of Joists	Lags	Notes	SW1/SW2
A	0'	98.5"	300	2	2/2	Split Shearwall	49.25/49.25
D	76'	128"	250	2	3/1		

Wind Zone	Standard Roof	7/16" Rated Sheathing and Ceiling Board with 15 ga staple @ 6/12 (286,315) Chords: 2x4 SPF #3 Top Plate spliced w/ 3x4 MCP & 1x6 SPF Rail spliced w/ 3x4 MCP	96 inch sidewall				
Diaphragm Construction: Block Dist. X=0'							
Shearwall	Dist./ Hitch	Length	PLF	# of Joists	Lags	Notes	SW1/SW2
A	0'	98.5"	250	2	2/2	Split Shearwall	49.25/49.25
B	21.67'	128"	430	3	4/1		
C	57.13'	128"	430	3	4/1		
D	76'	128"	250	2	3/1		

Wind Zone	Standard Roof	7/16" Rated Sheathing and Ceiling Board with 15 ga staple @ 6/12 (286,315) Chords: 2x4 SPF #3 Top Plate spliced w/ 3x4 MCP & 1x6 SPF Rail spliced w/ 3x4 MCP	96 inch sidewall				
Diaphragm Construction: Block Dist. X=0'							
Shearwall	Dist./ Hitch	Length	PLF	# of Joists	Lags	Notes	SW1/SW2
A	0'	98.5"	300	2	2/2	Split Shearwall	49.25/49.25
B	21.67'	128"	520	4	5/2		
C	57.13'	143.5"	430	4	5/2		0.35
D	76'	128"	250	2	3/1		



APPROVED **HWC** **APPROVED**

OCT 08 2025

Federal Manufactured Home Construction And Safety Standards

THIRD PARTY SEAL

Clayton Built

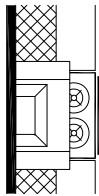
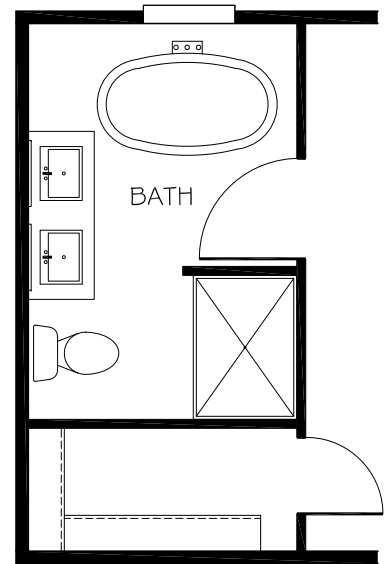
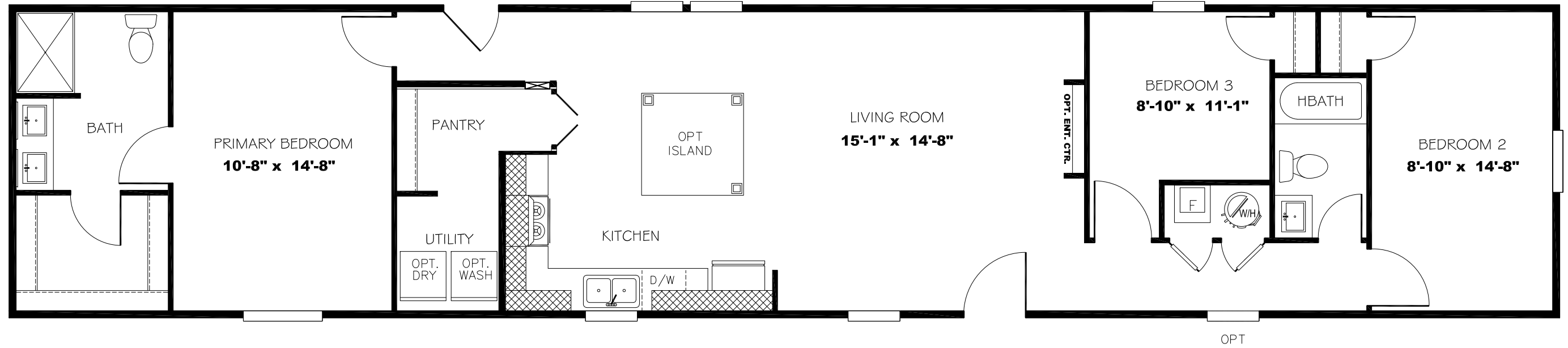
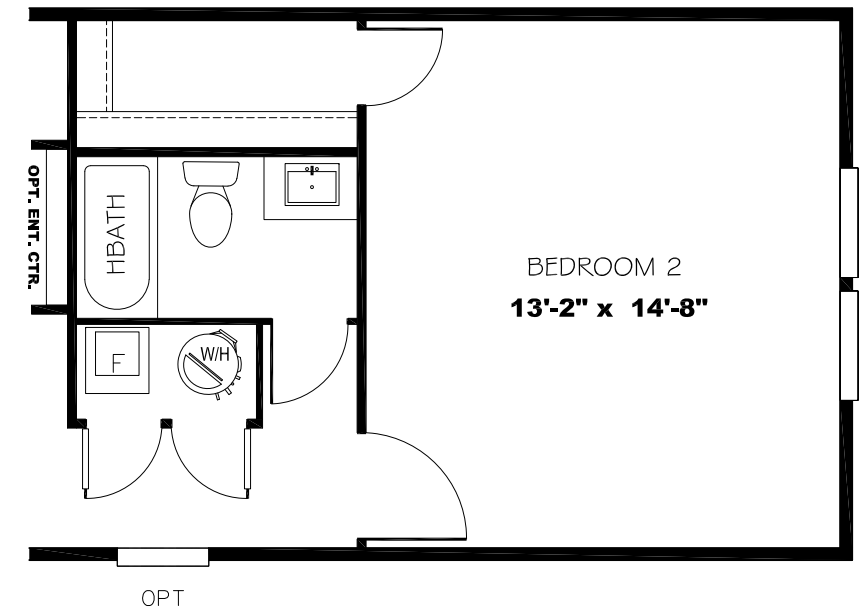
MODEL NAME: Lifestyle
 MODEL NO.: LFS16763P
 BOX SIZE: 16' X 76'
 MODEL SQ. FT.: 1,140

DATE: _____
 REVISION: _____

DRAWN BY: Braden French
 DATE DRAWN: 3.21.25
 DATE PRINTED: 3.24.25
 SCALE: 3/16"=1'
 PLAN NO.: 22s178
 SHEET NAME: FLOOR PLAN
 SHEET NO.: A-0-N

22s178 A-0-N

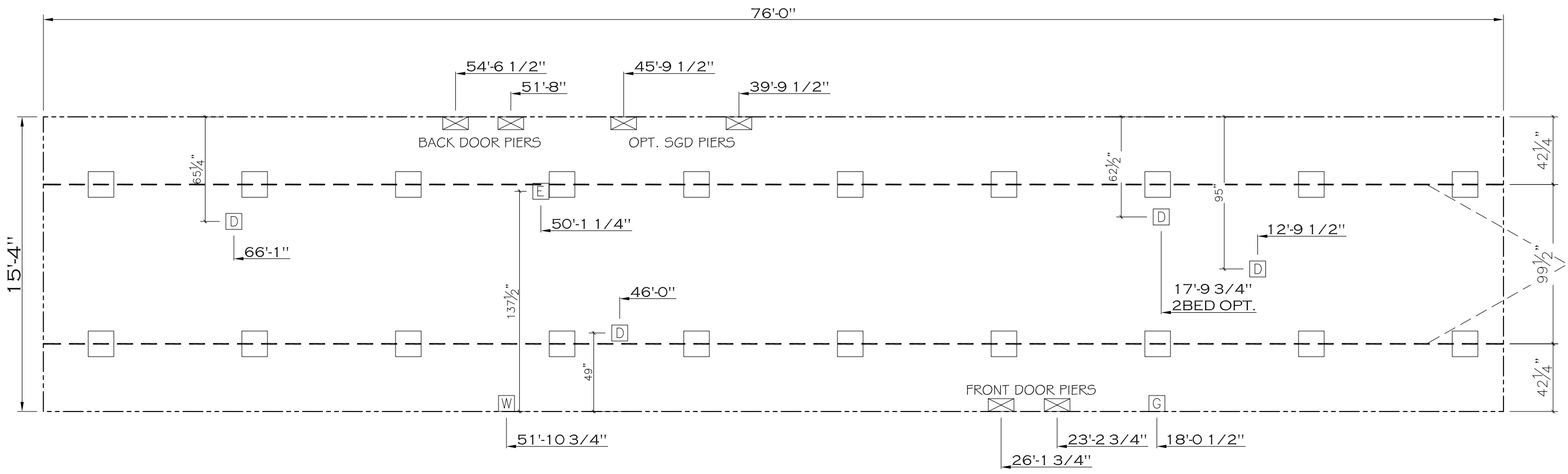
OMIT REAR DOOR & WINDOWS
w/ OPT. SGD.



OPT. STAINLESS
RANGEHOOD



OPT. ENT. CTR.
w/ ELECTRIC F.P.

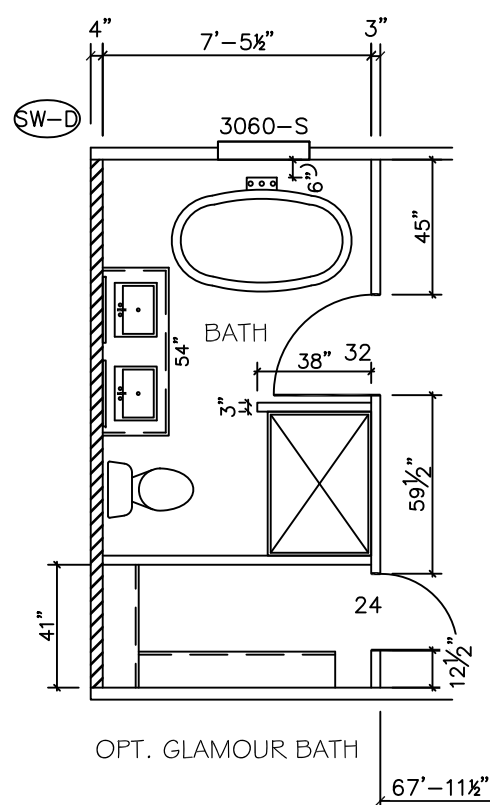
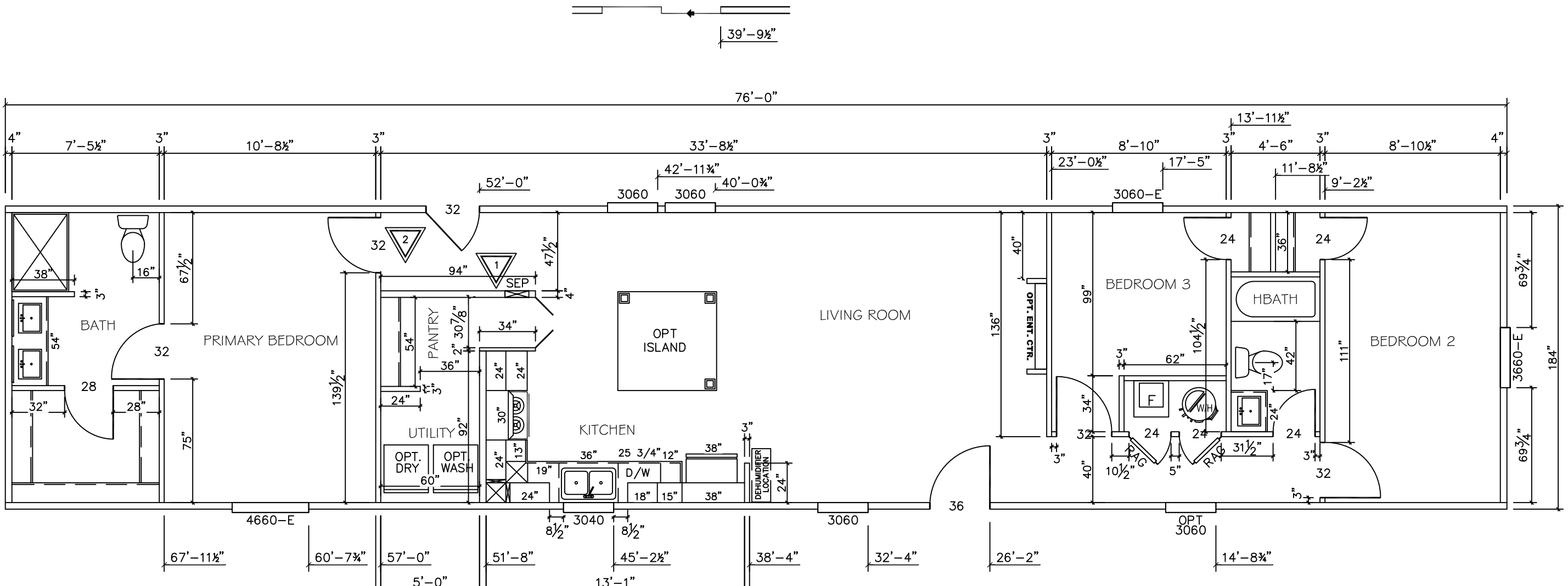


4" MUST BE ADDED (2" PER SIDEWALL) TO OVERALL WIDTH WITH 2X6 WALLS.
 4" MUST BE ADDED (2" PER ENDWALL) TO OVERALL LENGTH WITH 2X6 WALLS.



MODEL NAME	Lifestyle
MODEL NO.	LFS16763P
BOX SIZE	16' X 76'
MODEL SQ. FT.	1,140
DRAWN BY	Braden French
DATE DRAWN	3.21.25
DATE PRINTED	3.24.25
SCALE	3/16"=1'
PLAN NO.	22s178
SHEET NAME	FLOOR PLAN
SHEET NO.	SD-1.

OMIT REAR DOOR & WINDOWS
w/ OPT. SGD.



Model # 22S178
 Box Width = 184" Single wide
 Box Length = 76 ft. 99.5" 10" MIN. IBEAM
 No Skylights
 No Porches
 Joist Size = #2 sp 2x6 Lags 9Mx3"
 Minimum Joist Spacing 16"
 No Offset Box
 No Clerestory
 No Origami Dormer
 No Sunken Floor
 No Parapet Roof

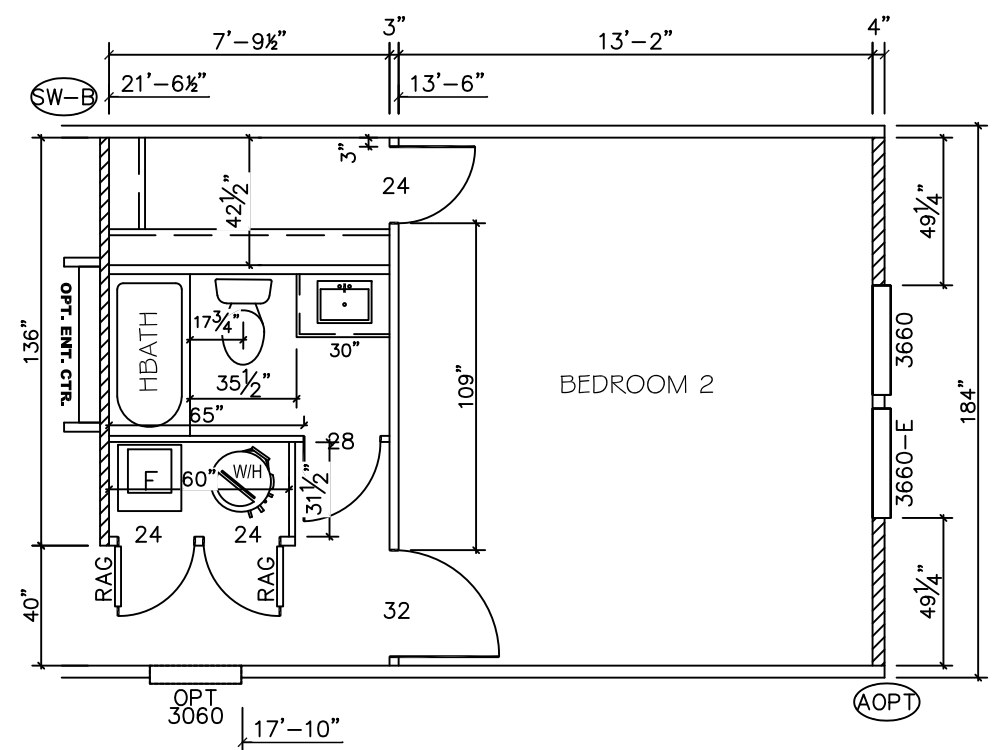
Version R14.01

Wind Zone	Roof	7/16" Rated Sheathing and Ceiling Board with 15 ga staple @ 6/12 (286,315) Chords: 2x4 SPF #3 Top Plate spliced w/ 3x4 MCP & 1x6 SPF Rail spliced w/ 3x4 MCP	96 inch sidewall				
Diaphragm Construction: Block Dist. X=0'							
Shearwall	Dist./ Hitch	Length	PLF	# of Joists	Lags	Notes	SW1/SW2
A	0"	139.5"	250	2	3/3	Split Shearwall *	69.75/69.75
D	76"	128"	250	2	3/1		
Wind Zone 2 Standard Roof							
7/16" Rated Sheathing and Ceiling Board with 15 ga staple @ 6/12 (286,315) Chords: 2x4 SPF #3 Top Plate spliced w/ 3x4 MCP & 1x6 SPF Rail spliced w/ 3x4 MCP							
Diaphragm Construction: Block Dist. X=0'							
Shearwall	Dist./ Hitch	Length	PLF	# of Joists	Lags	Notes	SW1/SW2
A	0"	139.5"	250	2	3/3	Split Shearwall *	69.75/69.75
B	23.17'	128"	430	3	4/1		
C	57.13'	128"	430	3	4/1		
D	76"	128"	250	2	3/1		
Wind Zone 3 Standard Roof							
7/16" Rated Sheathing and Ceiling Board with 15 ga staple @ 6/12 (286,315) Chords: 2x4 SPF #3 Top Plate spliced w/ 3x4 MCP & 1x6 SPF Rail spliced w/ 3x4 MCP							
Diaphragm Construction: Block Dist. X=0'							
Shearwall	Dist./ Hitch	Length	PLF	# of Joists	Lags	Notes	SW1/SW2
A	0"	139.5"	250	2	3/3	Split Shearwall *	69.75/69.75
B	23.17'	128"	520	4	5/2		
C	57.13'	139.5"	430	4	4/1		0.36
D	76"	128"	250	2	3/1		

Model # 22S178 - 2BR OPT.
 Box Width = 184" Single wide
 Box Length = 76 ft. 99.5" 10" MIN. IBEAM
 No Skylights
 No Porches
 Joist Size = #2 sp 2x6 Lags 9Mx3"
 Minimum Joist Spacing 16"
 No Offset Box
 No Clerestory
 No Origami Dormer
 No Sunken Floor
 No Parapet Roof

Version R14.01

Wind Zone	Roof	7/16" Rated Sheathing and Ceiling Board with 15 ga staple @ 6/12 (286,315) Chords: 2x4 SPF #3 Top Plate spliced w/ 3x4 MCP & 1x6 SPF Rail spliced w/ 3x4 MCP	96 inch sidewall				
Diaphragm Construction: Block Dist. X=0'							
Shearwall	Dist./ Hitch	Length	PLF	# of Joists	Lags	Notes	SW1/SW2
A	0"	98.5"	300	2	2/2	Split Shearwall	49.25/49.25
D	76"	128"	250	2	3/1		
Wind Zone 2 Standard Roof							
7/16" Rated Sheathing and Ceiling Board with 15 ga staple @ 6/12 (286,315) Chords: 2x4 SPF #3 Top Plate spliced w/ 3x4 MCP & 1x6 SPF Rail spliced w/ 3x4 MCP							
Diaphragm Construction: Block Dist. X=0'							
Shearwall	Dist./ Hitch	Length	PLF	# of Joists	Lags	Notes	SW1/SW2
A	0"	98.5"	250	2	2/2	Split Shearwall	49.25/49.25
B	21.67'	128"	430	3	4/1		
C	57.13'	128"	430	3	4/1		
D	76"	128"	250	2	3/1		
Wind Zone 3 Standard Roof							
7/16" Rated Sheathing and Ceiling Board with 15 ga staple @ 6/12 (286,315) Chords: 2x4 SPF #3 Top Plate spliced w/ 3x4 MCP & 1x6 SPF Rail spliced w/ 3x4 MCP							
Diaphragm Construction: Block Dist. X=0'							
Shearwall	Dist./ Hitch	Length	PLF	# of Joists	Lags	Notes	SW1/SW2
A	0"	98.5"	300	2	2/2	Split Shearwall	49.25/49.25
B	21.67'	128"	520	4	5/2		
C	57.13'	128"	520	4	5/2		
D	76"	128"	250	2	3/1		



REVISIONS: 2/11/26
 R1: CHANGED MEASUREMENT OF THE METER CENTER WALL
 R2: CHANGED DOOR FROM 28" TO 32"



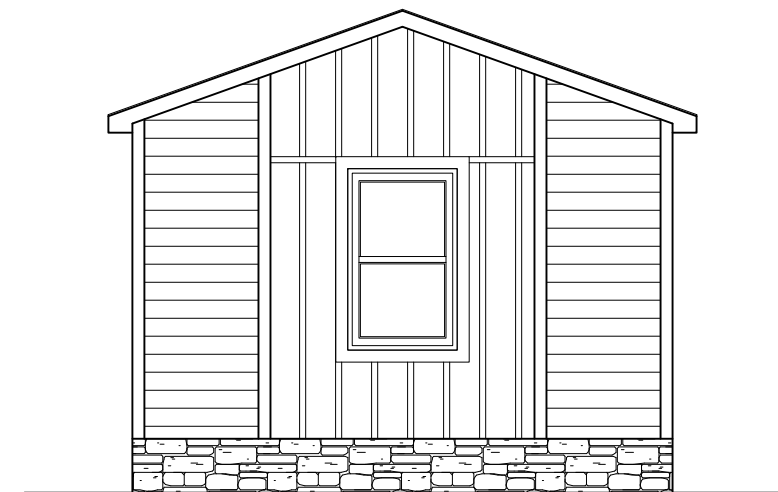
MODEL NAME	Lifestyle
MODEL NO.	LFS16763P
BOX SIZE	16' X 76'
MODEL SQ. FT.	1,140
DATE	
REVISION	
DRAWN BY	Braden French
DATE DRAWN	3.21.25
DATE PRINTED	3.24.25
SCALE	3/16"=1'
PLAN NO.	22s178
SHEET NAME	FLOOR PLAN
SHEET NO.	FP-2.



FRONT ELEVATION



REAR ELEVATION



HITCH END ELEVATION



DATE	REVISION

MODEL NAME Lifestyle	MODEL NO. LFS16763P	MODEL SQ. FT. 1,140
BOX SIZE 16' X 76'		

DRAWN BY
Braden French

DATE DRAWN
3.21.25

DATE PRINTED
3.24.25

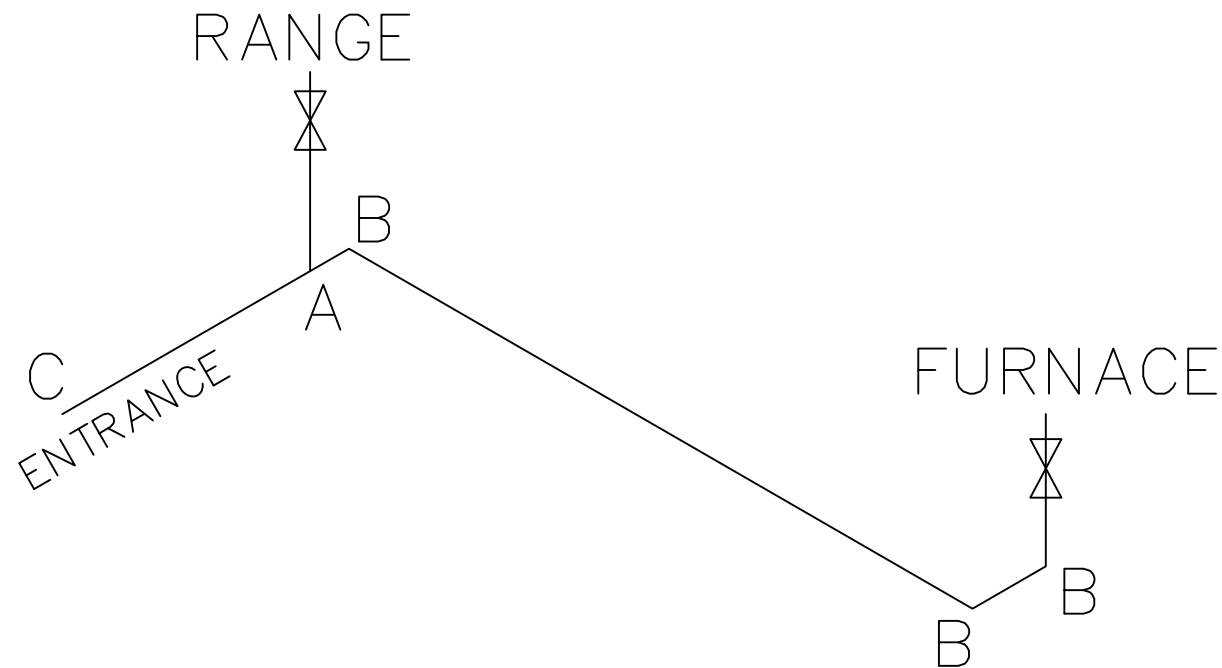
SCALE
3/16"=1'

PLAN NO.
22s178



SHEET NAME
FLOOR PLAN

SHEET NO.
EX-1.

MDL=40'



LEGEND		APPLIANCE BTU's RATINGS MAX. INPUT	
SYM	FITTINGS		
A	TEE	FURNACE	40,000 BTU'S
B	90 ELL	W/H	N/A BTU'S
X	VALVE	RANGE	52,000 BTU'S
C	CAP	DRYER	N/A BTU'S

GAS LINE SIZE CHART	
	= 1"
	= 3/4"

- NOTES:
- 1) ALL PIPE IS 3/4" I.D.CAST (EXCEPT WHERE NOTED OTHERWISE)
 - 2) MDL=MAX. DETERMINED LENGTH OF PIPE
 - 3) FITTING MAY BE ADDED OR SUBTRACTED TO TRAVERSE VARIATIONS IN AXLE QUANTITY, PLACEMENT, AND FRAME TYPE.
 - 4) INLET LOCATION MAY VARY TO STAY WITHIN MAX. DETERMINED LENGTH
 - 5) ALL RISERS ARE 1/2" UNLESS OTHERWISE NOTED

APPROVED

HWC

APPROVED

MAR 19 2026

Federal Manufactured
Home Construction
And Safety Standards

6

THIRD PARTY SEAL



REVISION	DATE

MODEL NAME Lifestyle	MODEL NO. LFS16763P	MODEL SQ. FT. 1,140
BOX SIZE 16' x 76'		

DRAWN BY
Braden French

DATE DRAWN
3.21.25

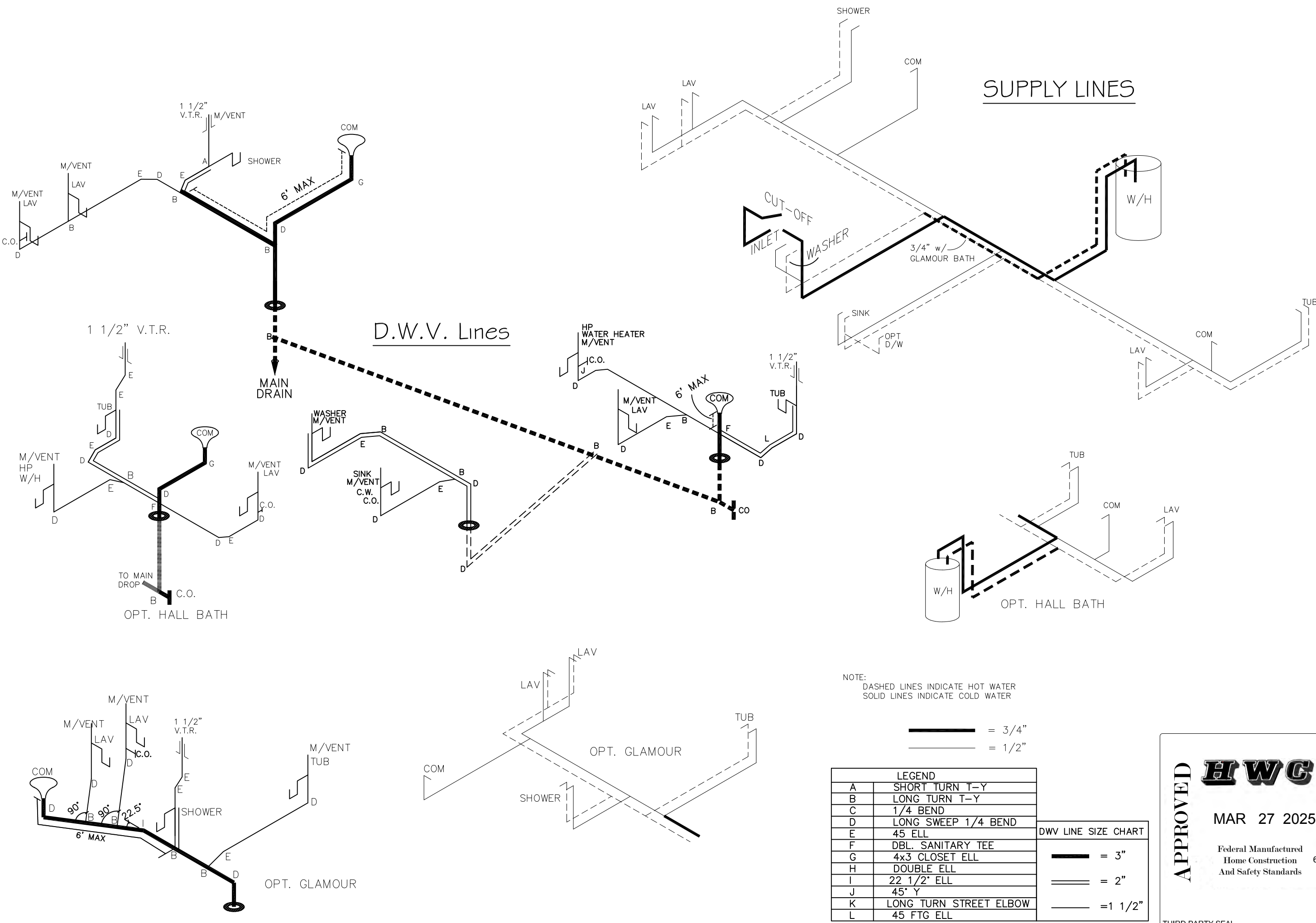
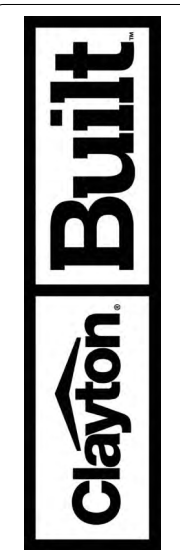
DATE PRINTED
3.18.26

SCALE
3/16"=1'

PLAN NO.
22s178

SHEET NAME
GAS LINES

SHEET NO.
PL-5.



NOTE:
DASHED LINES INDICATE HOT WATER
SOLID LINES INDICATE COLD WATER

— = 3/4"
— = 1/2"

LEGEND	
A	SHORT TURN T-Y
B	LONG TURN T-Y
C	1/4 BEND
D	LONG SWEEP 1/4 BEND
E	45 ELL
F	DBL. SANITARY TEE
G	4x3 CLOSET ELL
H	DOUBLE ELL
I	22 1/2° ELL
J	45° Y
K	LONG TURN STREET ELBOW
L	45 FTG ELL

DWV LINE SIZE CHART	
—	= 3"
—	= 2"
—	= 1 1/2"

APPROVED **HWG** **APPROVED**

MAR 27 2025

Federal Manufactured Home Construction And Safety Standards

THIRD PARTY SEAL

DATE	
REVISION	
MODEL NAME	Lifestyle
MODEL NO.	LFS16763P
BOX SIZE	16' X 76'
MODEL SQ. FT.	1,140
DRAWN BY	Braden French
DATE DRAWN	3.21.25
DATE PRINTED	3.24.25
SCALE	3/16"=1'
<small>* UNLESS OTHERWISE NOTED</small>	
PLAN NO.	22s178
SHEET NAME	FLOOR PLAN
SHEET NO.	WL.

Description of Materials

U.S. Department of Housing
and Urban Development
Department of Veterans Affairs
Farmers Home Administration

OMB Control No. 2502-0313
(exp. 05/31/2011)

Public reporting burden for this collection of information is estimated to average 30 minutes per response, including the time for reviewing instructions, searching existing data sources, gathering and maintaining the data needed, and completing and reviewing the collection of information. This agency may not collect this information, and you are not required to complete this form, unless it displays a currently valid OMB control number.

The National Housing Act (12 USC 1703) authorizes insuring financial institutions against default losses on single family mortgages. HUD must evaluate the acceptability and value of properties to be insured. The information collected here will be used to determine if proposed construction meets regulatory requirements and if the property is suitable for mortgage insurance. Response to this information collection is mandatory. No assurance of confidentiality is provided.

Proposed Construction Under Construction No. _____ (To be inserted by HUD, VA or FmHA)

Property address (Include City and State)

Name and address of Mortgagor or Sponsor

Name and address of Contractor or Builder

Instructions

- For additional information on how this form is to be submitted, number of copies, etc., see the instructions applicable to the HUD Application for Mortgage Insurance, VA Request for Determination of Reasonable Value, or FmHA Property Information and Appraisal Report, as the case may be.
- Describe all materials and equipment to be used, whether or not shown on the drawings, by marking an X in each appropriate check-box and entering the information called for each space. If space is inadequate, enter "See misc." and describe under item 27 or on an attached sheet. **The use of paint containing more than the percentage of lead by weight permitted by law is prohibited.**
- Work not specifically described or shown will not be considered unless required, then the minimum acceptable will be assumed. Work exceeding minimum requirements cannot be considered unless specifically described.
- Include no alternates, "or equal" phrases, or contradictory items. (Consideration of a request for acceptance of substitute materials or equipment is not thereby precluded.)
- Include signatures required at the end of this form.
- The construction shall be completed in compliance with the related drawings and specifications, as amended during processing. The specifications include this Description of Materials and the applicable Minimum Property Standards.

1. Excavation

Bearing soil, type _____

2. Foundations

Footings concrete mix _____ strength psi _____ Reinforcing _____

Foundation wall material _____ Reinforcing _____

Interior foundation wall material _____ Party foundation wall _____

Columns material and sizes _____ Piers material and reinforcing _____

Girders material and sizes _____ Sills material _____

Basement entrance areaway _____ Window areaways _____

Waterproofing _____ Footing drains _____

Termite protection _____

Basementless space ground cover _____ insulation _____ foundation vents _____

Special foundations _____

Additional information

3. Chimneys

Material _____ Prefabricated (make and size) _____

Flue lining material _____ Heater flue size _____ Fireplace flue size _____

Vents (material and size) gas or oil heater _____ water heater _____

Additional information

4. Fireplaces

Type solid fuel gas-burning circulator (make and size) _____ Ash dump and clean-out _____

Fireplace facing _____ lining _____ hearth _____ mantel _____

Additional information

5. Exterior Walls

Wood frame wood grade, and species _____ Corner bracing Building paper or felt _____

Sheathing _____ thickness _____ width _____ solid spaced _____ o.c. diagonal _____

Siding _____ grade _____ type _____ size _____ exposure _____ fastening _____

Shingles _____ grade _____ type _____ size _____ exposure _____ fastening _____

Stucco _____ thickness _____ Lath _____ weight _____ lb.

Masonry veneer _____ Sills _____ Lintels _____ Base flashing _____

Masonry solid faced stuccoed total wall thickness _____ facing thickness _____ facing material _____

Backup material _____ thickness _____ bonding _____

Door sills _____ Window sills _____ Lintels _____ Base flashing _____

Interior surfaces dampproofing, _____ coats of _____ furring _____

Additional information _____

Exterior painting material _____ number of coats _____

Gable wall construction same as main walls other construction _____

6. Floor Framing

Joists wood, grade, and species _____ other _____ bridging _____ anchors _____

Concrete slab basement floor first floor ground supported self-supporting mix _____ thickness _____

reinforcing _____ insulation _____ membrane _____

Fill under slab material _____ thickness _____

Additional information _____

7. Subflooring (Describe underflooring for special floors under item 21)

Material grade and species _____ size _____ type _____

Laid first floor second floor attic _____ sq. ft. diagonal right angles

Additional information _____

8. Finish Flooring (Wood only. Describe other finish flooring under item 21)

Location	Rooms	Grade	Species	Thickness	Width	Bldg. Paper	Finish
First floor							
Second floor							
Attic floor	sq. ft.						

Additional information _____

9. Partition Framing

Studs wood, grade, and species _____ size and spacing _____ Other _____

Additional information _____

10. Ceiling Framing

Joists wood, grade, and species _____ Other _____ Bridging _____

Additional information _____

11. Roof Framing

Rafters wood, grade, and species _____ Roof trusses (see detail) grade and species _____

Additional information _____

12. Roofing

Sheathing wood, grade, and species _____ solid spaced _____ o.c.

Roofing _____ grade _____ size _____ type _____

Underlay _____ weight or thickness _____ size _____ fastening _____

Built-up roofing _____ number of plies _____ surfacing material _____

Flashing material _____ gage or weight _____ gravel stops snow guards

Additional information _____

13. Gutters and Downspouts

Gutters material _____ gage or weight _____ size _____ shape _____
Downspouts material _____ gage or weight _____ size _____ shape _____ number _____
Downspouts connected to Storm sewer sanitary sewer dry-well Splash blocks material and size _____
Additional information _____

14. Lath and Plaster

Lath walls ceilings material _____ weight or thickness _____ Plaster coats _____ finish _____
Dry-wall walls ceilings material _____ thickness _____ finish _____
Joint treatment _____

15. Decorating (Paint, wallpaper, etc.)

Rooms	Wall Finish Material and Application	Ceiling Finish Material and Application
Kitchen		
Bath		
Other		

Additional information _____

16. Interior Doors and Trim

Doors type _____ material _____ thickness _____
Door trim type _____ material _____ Base type _____ material _____ size _____
Finish doors _____ trim _____
Other trim (item, type and location) _____
Additional information _____

17. Windows

Windows type _____ make _____ material _____ sash thickness _____
Glass grade _____ sash weights balances, type _____ head flashing _____
Trim type _____ material _____ Paint _____ number coats _____
Weatherstripping type _____ material _____ Storm sash, number _____
Screens full half type _____ number _____ screen cloth material _____
Basement windows type _____ material _____ screens, number _____ Storm sash, number _____
Special windows _____
Additional information _____

18. Entrances and Exterior Detail

Main entrance door material _____ width _____ thickness _____ Frame material _____ thickness _____
Other entrance doors material _____ width _____ thickness _____ Frame material _____ thickness _____
Head flashing _____ Weatherstripping type _____ saddles _____
Screen doors thickness _____ number _____ screen cloth material _____ Storm doors thickness _____ number _____
Combination storm and screen doors thickness _____ number _____ screen cloth material _____
Shutters hinged fixed Railings _____ Attic louvers _____
Exterior millwork grade and species _____ Paint _____ number coats _____
Additional information _____

19. Cabinets and Interior Detail

Kitchen cabinets, wall units material _____ lineal feet of shelves _____ shelf width _____
Base units material _____ counter top _____ edging _____
Back and end splash _____ Finish of cabinets _____ number coats _____
Medicine cabinets make _____ model _____
Other cabinets and built-in furniture _____
Additional information _____

20. Stairs

Stair	Treads		Risers		Strings		Handrail		Balusters	
	Material	Thickness	Material	Thickness	Material	Size	Material	Size	Material	Size
Basement										
Main										
Attic										

Disappearing make and model number _____

Additional information _____

21. Special Floors and Wainscot (Describe Carpet as listed in Certified Products Directory)

Floors	Location	Material, Color, Border, Sizes, Gage, Etc.	Threshold Material	Wall Base Material	Underfloor Material
	Kitchen				
	Bath				

Wainscot	Location	Material, Color, Border, Cap. Sizes, Gage, Etc.	Height	Height Over Tub	Height in Showers (From Floor)
	Bath				

Additional information _____

22. Plumbing

Fixture	Number	Location	Make	MFR's Fixture Identification No.	Size	Color
Sink						
Lavatory						
Water closet						
Bathtub						
Shower over tub						
Stall shower						
Laundry trays						

Bathroom accessories Recessed material _____ number _____ Attached material _____ number _____

Additional information _____

Curtain rod Door Shower pan material _____ * (Show and describe individual system in complete detail in separate drawings and specifications according to requirements.)

Water supply public community system individual (private) system*

Sewage disposal public community system individual (private) system*

House drain (inside) cast iron tile other _____ House sewer (outside) cast iron tile other _____

Water piping galvanized steel copper tubing other _____ Sill cocks, number _____

Domestic water heater type _____ make and model _____ heating capacity _____ gph. 100° rise.

Storage tank material _____ capacity _____ gallons

Gas service utility company liq. pet. gas other _____ Gas piping cooking house heating

Footing drains connected to storm sewer sanitary sewer dry well Sump pump make and model _____ capacity _____ discharges into _____

Additional information _____

23. Heating

Hot water Steam Vapor One-pipe system Two-pipe system
 Radiators Convectors Baseboard radiation Make and model _____
 Radiant panel floor wall ceiling Panel coil material _____
 Circulator Return pump Make and model _____ capacity _____ gpm.
Boiler make and model _____ Output _____ Btuh. net rating _____ Btuh.

Additional information

Warm air Gravity Forced Type of system _____
Duct material supply _____ return _____ Insulation _____ thickness _____ Outside air intake
Furnace: make and model _____ Input _____ Btuh. output _____ Btuh.

Additional information

Space heater floor furnace wall heater Input _____ Btuh. output _____ Btuh. number units _____
Make, model _____

Additional information

Controls make and types _____

Additional information

Fuel: Coal oil gas liq. pet. gas electric other _____ storage capacity _____

Additional information

Firing equipment furnished separately Gas burner, conversion type Stoker hopper feed bin feed

Oil burner pressure atomizing vaporizing _____

Make and model _____

Control _____

Additional information

Electric heating system type _____ Input _____ watts @ _____ volts output _____ Btuh.

Additional information

Ventilating equipment attic fan, make and model _____ capacity _____ cfm.
 kitchen exhaust fan, make and model _____

Other heating, ventilating, or cooling equipment _____

Additional information

24. Electric Wiring

Service overhead underground Panel fuse box circuit-breaker make _____ AMP's _____ No. circuits _____
Wiring conduit armored cable nonmetallic cable knob and tube other _____
Special outlets range water heater other _____
 Doorbell Chimes Push-button locations _____

Additional information

25. Lighting Fixtures

Total number of fixtures _____ Total allowance for fixtures, typical installation, \$ _____

Nontypical installation _____

Additional information

26. Insulation

Location	Thickness	Material, Type, and Method of Installation	Vapor Barrier
Roof			
Ceiling			
Wall			
Floor			

27. Miscellaneous: (Describe any main dwelling materials, equipment, or construction items not shown elsewhere; or use to provide additional information where the space provided was inadequate. Always reference by item number to correspond to numbering used on this form.)

Hardware (make, material, and finish.)

Special Equipment (State material or make, model and quantity. Include only equipment and appliances which are acceptable by local law, custom and applicable FHA standards. Do not include items which, by established custom, are supplied by occupant and removed when he vacates premises or chattles prohibited by law from becoming realty.)

Porches

Terraces

Garages

Walks and Driveways

Driveway width _____ base material _____ thickness _____ surfacing material _____ thickness _____
 Front walk width _____ material _____ thickness _____ Service walk width _____ material _____ thickness _____
 Steps material _____ treads _____ risers _____ Cheek walls _____

Other Onsite Improvements

(Specify all exterior onsite improvements not described elsewhere, including items such as unusual grading, drainage structures, retaining walls, fence, railings, and accessory structures.)

Landscaping, Planting, and Finish Grading

Topsoil _____ thick front yard side yards rear yard to _____ feet behind main building
 Lawns (seeded, sodded, or sprigged) front yard _____ side yards _____ rear yard _____
 Planting as specified and shown on drawings as follows:
 _____ Shade trees deciduous _____ caliper _____ Evergreen trees _____ to _____ B & B
 _____ Low flowering trees deciduous _____ to _____ _____ Evergreen shrubs _____ to _____ B & B
 _____ High-growing shrubs deciduous _____ to _____ _____ Vines, 2-year _____
 _____ Medium-growing shrubs deciduous _____ to _____ Other _____
 _____ Low-growing shrubs deciduous _____ to _____

Identification—This exhibit shall be identified by the signature of the builder, or sponsor, and/or the proposed mortgagor if the latter is known at the time of application.

Date (mm/dd/yyyy) _____ Signature _____

Signature _____